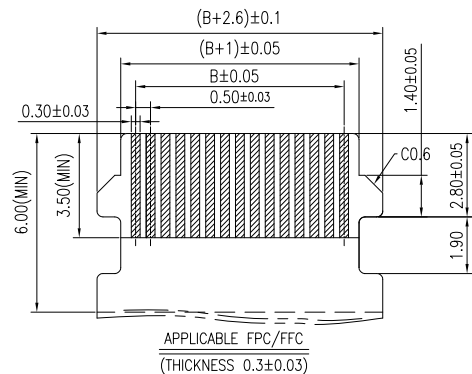
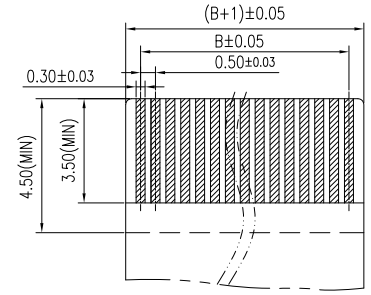


NOTES:

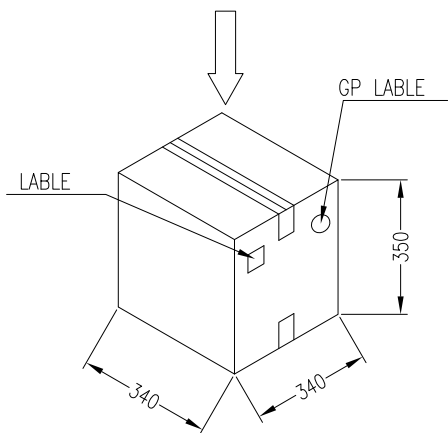
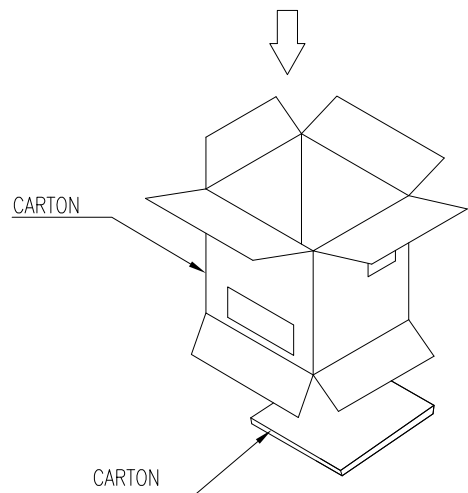
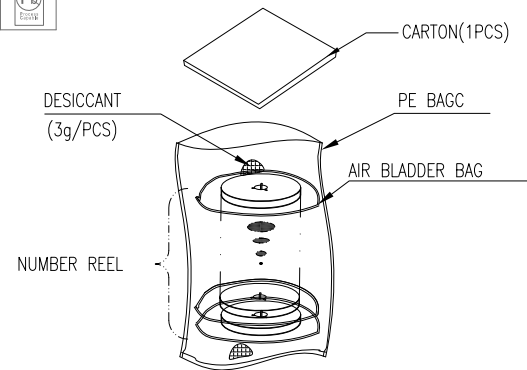
- 1.HUOSING: LCP HIGH-TEMP THERMOPLASTIC UL94V-0 COLOR:BEIGE
- 2.ACTUATOR: LCP HIGH-TEMP THERMOPLASTIC UL94V-0 COLOR:BEIGE
- 3.TERMINAL:PHOSPHOR BRONZE
PLATING:CONTACT AREA AND SOLDER TAIL AREA GOLD PLATING1μ"MIN.
OR 100~150μ" TIN(LEAD FREE)OVERALL 50~100μ" NICKEL UNDER PLATED.
- 4.FITTING NAIL:BRASS
PLATING:100~150μ" TIN(LEAD FREE)
OVERALL 50~100μ" NICKEL UNDER PLATED.
- 5.RATING:
OPERATING VOLTAGE:50V AC,DC
CURRENT RATING:0.5A AC,DC
OPERATING TEMPERATURE:-25°C~+85°C



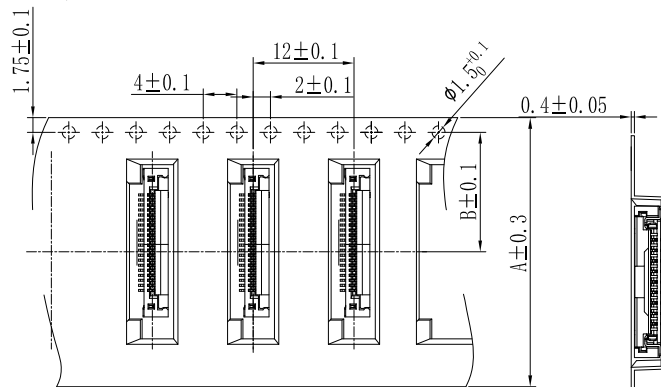
NO. of contacts	Dimensions				NO. of contacts	Dimensions			
	A.	B.	C.	D.		A.	B.	C.	D.
4	6.80	1.50	2.57	4.72	33	21.30	16.00	17.07	19.22
5	7.30	2.00	3.07	5.22	34	21.80	16.50	17.57	19.72
6	7.80	2.50	3.57	5.72	35	22.30	17.00	18.07	20.22
7	8.30	3.00	4.07	6.22	36	22.80	17.50	18.57	20.72
8	8.80	3.50	4.57	6.72	37	23.30	18.00	19.07	21.22
9	9.30	4.00	5.07	7.22	38	23.80	18.50	19.57	21.72
10	9.80	4.50	5.57	7.72	39	24.30	19.00	20.07	22.22
11	10.30	5.00	6.07	8.22	40	24.80	19.50	20.57	22.72
12	10.80	5.50	6.57	8.72	41	25.30	20.00	21.07	23.22
13	11.30	6.00	7.07	9.22	42	25.80	20.50	21.57	23.72
14	11.80	6.50	7.57	9.72	43	26.30	21.00	22.07	24.22
15	12.30	7.00	8.07	10.22	44	26.80	21.50	22.57	24.72
16	12.80	7.50	8.57	10.72	45	27.30	22.00	23.07	25.22
17	13.30	8.00	9.07	11.22	46	27.80	22.50	23.57	25.72
18	13.80	8.50	9.57	11.72	47	28.30	23.00	24.07	26.22
19	14.30	9.00	10.07	12.22	48	28.80	23.50	24.57	26.72
20	14.80	9.50	10.57	12.72	49	29.30	24.00	25.07	27.22
21	15.30	10.00	11.07	13.22	50	29.80	24.50	25.57	27.72
22	15.80	10.50	11.57	13.72	51	30.30	25.00	26.07	28.22
23	16.30	11.00	12.07	14.22	52	30.80	25.50	26.57	28.72
24	16.80	11.50	12.57	14.72	53	31.30	26.00	27.07	29.22
25	17.30	12.00	13.07	15.22	54	31.80	26.50	27.57	29.72
26	17.80	12.50	13.57	15.72	55	32.30	27.00	28.07	30.22
27	18.30	13.00	14.07	16.22	56	32.80	27.50	28.57	30.72
28	18.80	13.50	14.57	16.72	57	33.30	28.00	29.07	31.22
29	19.30	14.00	15.07	17.22	58	33.80	28.50	29.57	31.72
30	19.80	14.50	15.57	17.72	59	34.30	29.00	30.07	32.22
31	20.30	15.00	16.07	18.22	60	34.80	29.50	30.57	32.72
32	20.80	15.50	16.57	18.72	61	35.30	30.00	31.07	33.22

广东国连电子有限公司

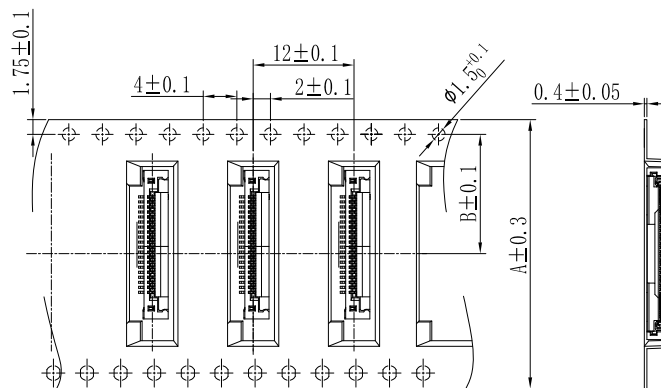
GENERAL TOLERANCE UNLESS OTHERWISE SPECIFIED	DRAWN:	PART NO.
X.X ±0.30	CHECKED:	0.5立贴翻盖H5.9
X.XX ±0.25	APPROVED:	TITLE:
X.XXX ±0.15	SHEET: 1/1	W0559-N-21LR0
ANG. ±2'	UNIT: mm	SCALE: 1:1
REV.	REVISIONS	CHK
		DATE
		SIZE: A4
		REV: X1



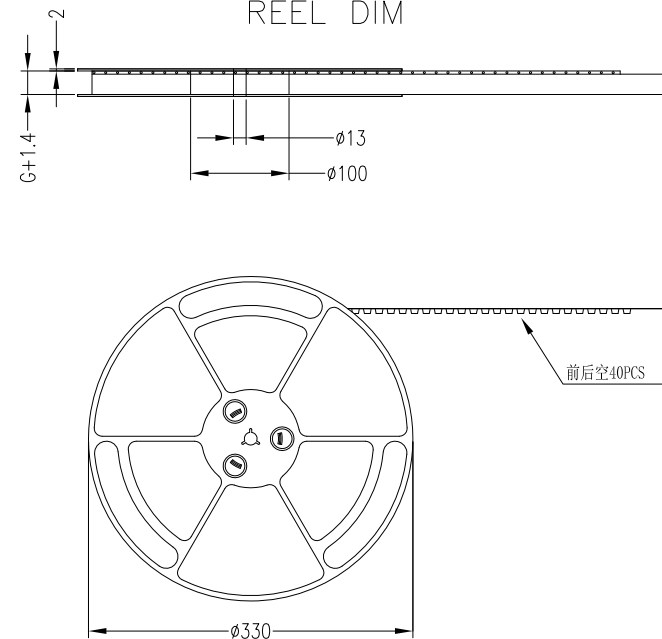
Tape width 16 and 24 mm



Tape width 32 and 56 mm



REEL DIM



NOTES:

- 1.Component load per 13" reel:800 pcs
- 2.Material: black conductive polystyrene alloy.
- 3.Thickness:0.3±0.05mm
- 4.All dimensions meet EIA-481-C requirements

No.of Contacts	DIM			REEL (CARTON)	SUM(Pcs)
	A	B	C		
4pin~8pin	16	7.5	—	15	9600
9pin~24pin	24	11.5	—	10	8000
25pin~33pin	32	14.2	28.4	8	6400
34pin~57pin	44	20.2	40.4	6	4800
58pin~61pin	56	26.25	52.5	5	4000

广东国连电子有限公司

GENERAL TOLERANCE UNLESS OTHERWISE SPECIFIED	DRAWN:	PART NO.
X.X ±0.25	CHECKED:	0.5立贴翻盖H5.9
X.XX ±0.20	APPROVED:	TITLE:
X.XXX ±0.10	SHEET: 1/1	W0559-N-21LR0
ANG. ±3'	UNIT: mm	SCALE: 1:1
	SIZE: A4	REV: X2

REV.	REVISIONS	CHK	DATE